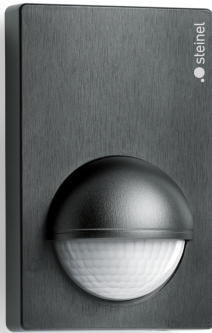


Motion detector

IS 180-2

black
EAN 4007841 603113
Article number 603113



infrared sensor
180°



max. 12 m

1000 W

1000 W max.



IP54



2 - 2000 lux



5 sec - 15 min



Ideal 2 m



energy saving

3 years

manufacturer's
warranty steinel.de/
garantie



CE

Function description

Homeowner's darling. Infrared wall sensor IS 180-2, for indoors and out, ideal for expansive building fronts and driveways, corner wall bracket for corner mounting available as accessory, 180° angle of coverage, reach can be set up to 12 m or up to 5 m, selectable time and twilight threshold, detection zone can be customised with shrouds.

Technical specifications

| | | | |
|----------------------------|---|---|---|
| Dimensions (L x W x H) | 56 x 76 x 120 mm | LED lamps > 2 W < 8 W | 175 W |
| Manufacturer's Warranty | 3 years | LED lamps > 8 W | 350 W |
| Settings via | Potentiometers | Capacitive load in µF | 132 µF |
| With remote control | No | Technology, sensors | passive infrared, Light sensor |
| Version | black | Mounting height | 1,80 – 4,00 m |
| PU1, EAN | 4007841603113 | Mounting height max. | 4,00 m |
| Type | Motion detectors | Optimum mounting height | 2 m |
| Application, place | Indoors, Outdoors | Detection angle | 180 ° |
| Application, room | outdoors, front door, all round the building, terrace / balcony, courtyard & driveway | Angle of aperture | 90 ° |
| Colour | black | Sneak-by guard | Yes |
| Colour, RAL | 9005 | Capability of masking out individual segments | Yes |
| Includes corner wall mount | No | Electronic scalability | No |
| Installation site | wall, corner | Mechanical scalability | No |
| Installation | Surface wiring, Wall, corner | Reach, radial | r = 1.5 m (4 m ²) / r = 3 m (14 m ²) |
| IP-rating | IP54 | Reach, tangential | r = 5 m (39 m ²) / r = 12 m (226 m ²) |
| Protection class | II | Switching zones | 504 switching zones |

<https://www.steinel.de>

Subject to technical modifications

05.2025 Page 1 from 3

Motion detector

IS 180-2

black
EAN 4007841 603113
Article number 603113



Technical specifications

| | |
|---|----------------------|
| Ambient temperature | from -20 up to 50 °C |
| Material | Plastic |
| Mains power supply | 230 V / 50 Hz |
| Switching output 1, resistive | 1000 W |
| Fluorescent lamps, electronic ballast | 350 W |
| Fluorescent lamps, uncorrected | 500 VA |
| Fluorescent lamps, series-corrected | 900 VA |
| Fluorescent lamps, parallel-corrected | 500 VA |
| Switching output 1, low-voltage halogen lamps | 1000 VA |
| LED lamps < 2 W | 100 W |

| | |
|----------------------------|-----------------|
| Twilight setting | 2 – 2000 lx |
| Time setting | 5 s – 15 Min. |
| Basic light level function | No |
| Main light adjustable | No |
| Twilight setting TEACH | No |
| Constant-lighting control | No |
| Interconnection | Yes |
| Type of interconnection | Master/master |
| Interconnection via | Cable |
| Product category | Motion detector |

Accessories

EAN 4007841 085148

Corner wall mount for IS 180-2, IS 2180-2 and IS 2180 ECO

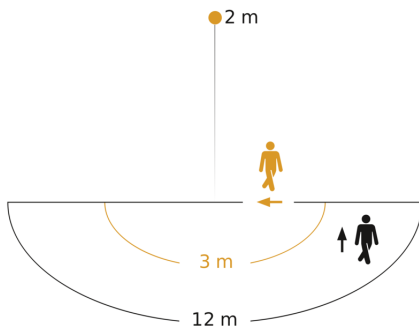
Motion detector

IS 180-2

black
EAN 4007841 603113
Article number 603113

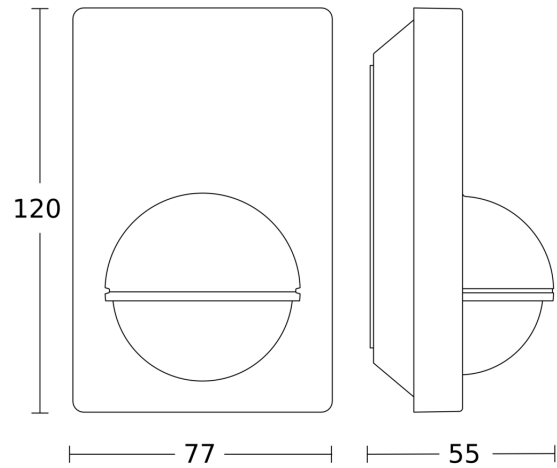


Detection Zone

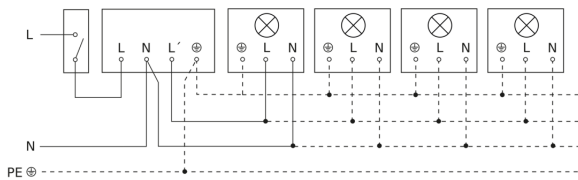


Possible mounting height: 1,80 m - 4,00 m
Orange: radial
Black: tangential

Dimension Drawing



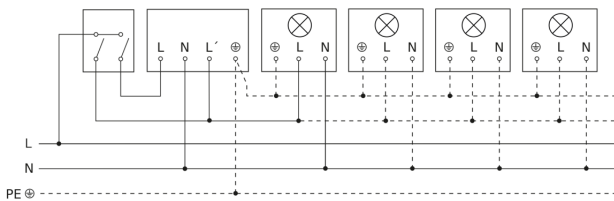
Light without neutral conductor



Light with neutral conductor



Connection using two-circuit switch for manual and automatic operation



Circuit diagram Connection via a changeover switch for continuous and automatic operation

